



The connection to perfection

ECS Electronics UK
20 Speedwell Close
Huntington
Chester, CH3 6DX
United Kingdom
Tel.: +44 (0) 7590 564639
Email: uksales@ecs-electronics.com
www.ecs-electronicsuk.co.uk



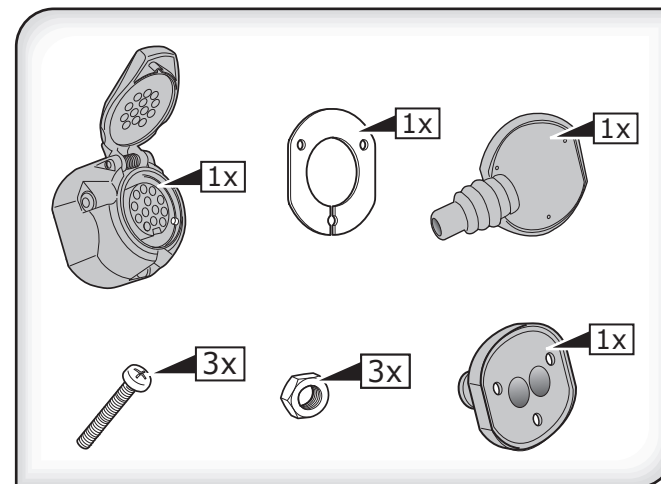
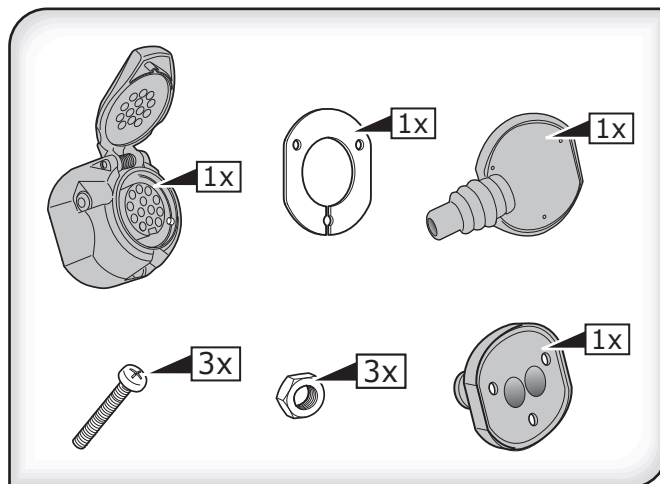
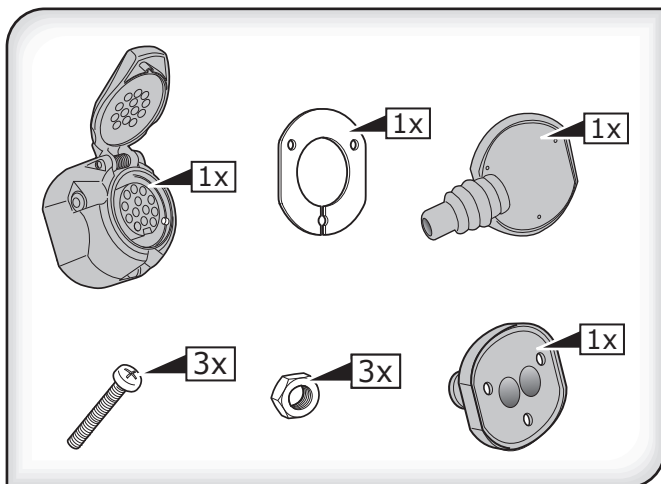
The connection to perfection

ECS Electronics UK
20 Speedwell Close
Huntington
Chester, CH3 6DX
United Kingdom
Tel.: +44 (0) 7590 564639
Email: uksales@ecs-electronics.com
www.ecs-electronicsuk.co.uk



The connection to perfection

ECS Electronics UK
20 Speedwell Close
Huntington
Chester, CH3 6DX
United Kingdom
Tel.: +44 (0) 7590 564639
Email: uksales@ecs-electronics.com
www.ecs-electronicsuk.co.uk



13 pin DIN socket with screw connection, metal switch and mounting parts. According to Din 11446

SP-001-ZZU

13 pin DIN socket with screw connection, metal switch and mounting parts. According to Din 11446

SP-001-ZZU

13 pin DIN socket with screw connection, metal switch and mounting parts. According to Din 11446

SP-001-ZZU